



**Everlast
Roofing, Inc.**

**EVERSEAM 19.5
APPLICATION GUIDE**

www.everlastroofing.com



Panel Overview

EverSeam 19.5

Applications: The EverSeam panel is an architectural panel that is ideal for residential and light commercial applications. It can be used for roofing, mansards, or fascias. EverSeam should be applied over a solid substrate; however, in certain applications can be applied over open framing 18” on center. There are certain minimum, live, snow, dead, collateral, and wind loads that a roof must generally be designed to support. Consult local building officials to determine the appropriate building design load requirements. A professional engineer should be consulted for all roof system designs. It is the buyer’s responsibility to verify all applicable code requirements, check all measurements, and determine suitability of product for job. To avoid panel distortion use a properly aligned and uniform substructure.

Note: Oil canning in the flat area of the panels is common to the industry and does not affect the integrity of the panel. Therefore, oil canning is not a reason for rejection.

Minimum Slope: The minimum recommended slope for the EverSeam panel is 4:12. EverSeam is designed to be utilized over solid substrate. Plywood (5/8” min.), applied with a 30# felt moisture barrier (or an Ice and Water Shield when required by Local Building Codes) between the substrate and the EverSeam panel is ideal.

Finishes: The EverSeam panel is available in prepainted Kynar® finish. Kynar® carries a 30-year limited warranty. Please see the EverSeam color chart for stock colors.

Thickness: 24 Gauge

Weight: 126 lbs. per square or 2.05 lbs. per LF.

Length: Minimum panel length is 5’-0”. Maximum recommended panel length is 32’-0”. Longer panels require additional consideration in packaging, shipping, and erection. Please consult Everlast for recommendations. Panels do not endlap.

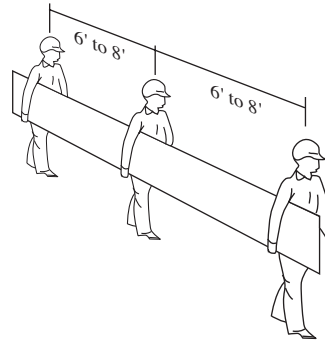
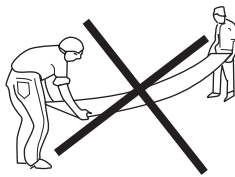
Width: 19.5” coverage with a 1 1/2” rib height.

Handling

EverSeam 19.5



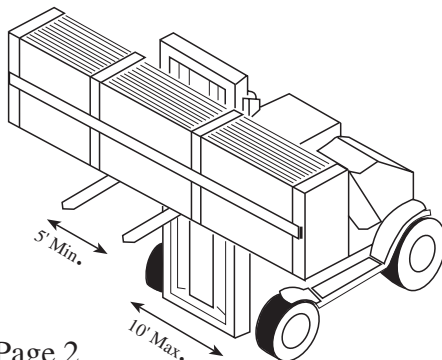
A. Do not lift panels from ends while flat. Lift the panels on edge when moving individual panels or when moving panels onto the roof.



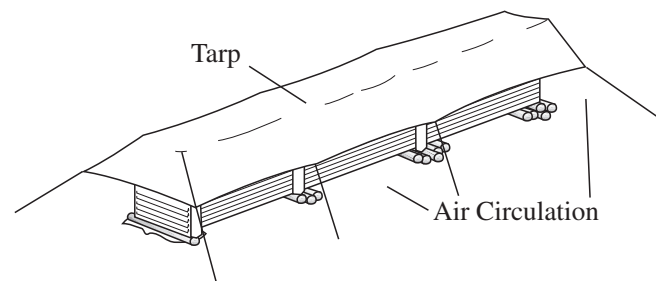
B. If the material is not to be used immediately, it should be stored in a dry place. Moisture trapped between sheets may cause damage to the paint system. The paint system may become soft or water stains may appear which can detract from the appearance and affect the service life of the material. To avoid problems store the materials in a well ventilated dry area. Stack the materials in a incline position. **DO NOT USE PLASTIC TO COVER MATERIALS. THIS CAN CAUSE SWEATING OR CONDENSATION!**

C. While unloading, all bundles must be lifted from the center. Do not unload in a jerking or bouncing fashion. Panels greater than 25'0" long should be unloaded using a spreader bar to prevent panels from bending.

D. Although the paint coating is tough, dragging panels across the surface of one another will almost certainly mar the finish.



Right Wax

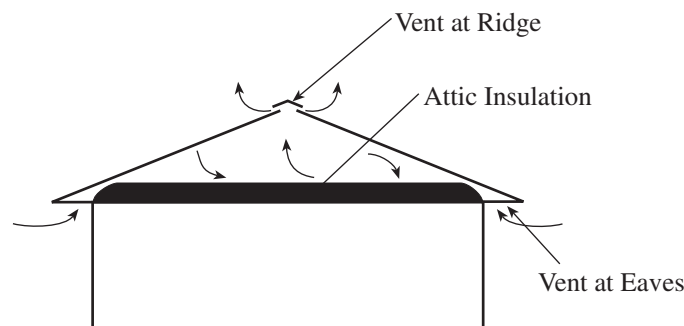


Ventilation

EverSeam 19.5

Proper design and installation of vapor barriers and ventilation systems are important to prevent condensation and the resulting problems of moisture damage and loss of insulation efficiency. Condensation occurs when moisture-laden air comes in contact with a surface temperature equal to or below the dew point of the air. This phenomenon creates problems that are not unique with metal buildings; these problems are common to all types of construction. In addition to providing resistance to heat transfer, insulation can also protect against condensation forming on cold surfaces, either inside the building or within the wall/roof system cavity. The arrangement of the building's insulation system and vapor retarder is the responsibility of the building designer. These are some basic guidelines to help control condensation:

1. The insulation should have a vapor retarder face on the "warm" side of the insulation. For most buildings, this means that the vapor retarder is on the inside surface (toward the building's interior).
2. The thickness of the insulation must be designed to maintain the temperature of the vapor retarder above the interior dew point, using the worst-case expected outside temperature.
3. All perimeter conditions, seams, and penetrations of the vapor retarder must be adequately sealed in order to provide a continuous membrane to resist the passage of water vapor.
4. Building ventilation, whether by gravity ridge vent, poweroperated fans, or other means, contributes significantly to reduced condensation. The movement of air to the outside of the building reduces the interior level of vapor pressure. On buildings that have an attic space or are being retro-fitted with a metal roofing system, vents should be placed at both the eave and peak of the roof in order to prevent a buildup of moisture (humidity) in the attic space. Contact your local building code official or an engineer on proper ventilation practices for your area.





Considerations

EverSeam 19.5

Safety:

Always work safely when installing metal products. Use extreme caution on the roof at all times, and wear gloves and safety glasses to avoid injury. Hearing protection should be used when power-cutting metal panels. Do not walk on panels until all the fasteners are installed. Metal panels are slippery when wet, dusty, frosty, or oily. Do not attempt to walk on a metal roof under these conditions. Wear soft-soled shoes to improve traction and to minimize damage to the paint finish. Always be aware of your position on the roof relative to any roof openings, roof edges, co-workers, and penetrations. Installing metal panels on a windy day can be dangerous and should be avoided. Consult OSHA guidelines for more complete safety requirements.

Cutting Steel Panels:

Steel panels may be cut with straight-cut snips, electric or pneumatic shears, a portable profile shear, or an electric nibbler. Some installers prefer using a circular saw with a metal cutting abrasive blade. This method may be faster, but it has some drawbacks:

1. Saw cut edges are jagged and unsightly and tend to rust more quickly than sheared edges.
2. Saw cutting produces hot metal filings that can embed in the paint and cause rust marks on the face of the panel.
3. Panels to be saw cut must be turned face down and cut in a location down-wind and well away from the building and other panels to avoid embedment of metal filings on other panels.
4. Saw cut panels must be thoroughly wiped to ensure the removal of all metal filings.
5. Saw cutting burns the paint and galvanizing at the cut edge, leading to the onset of edge rust.

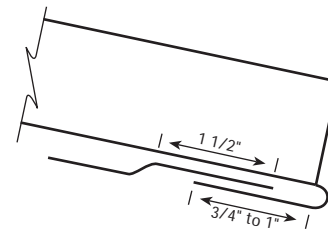
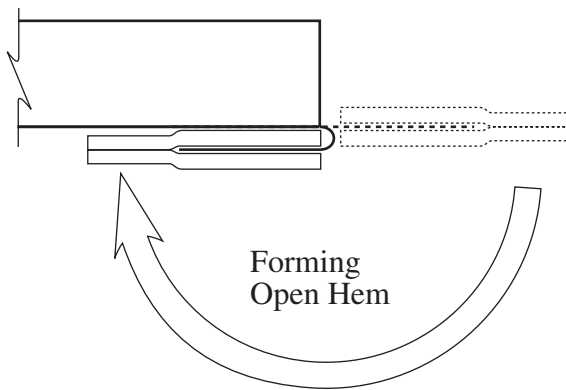
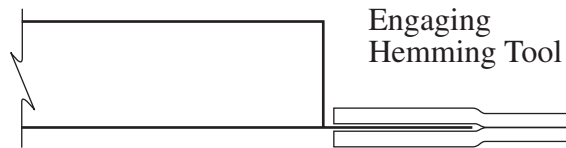
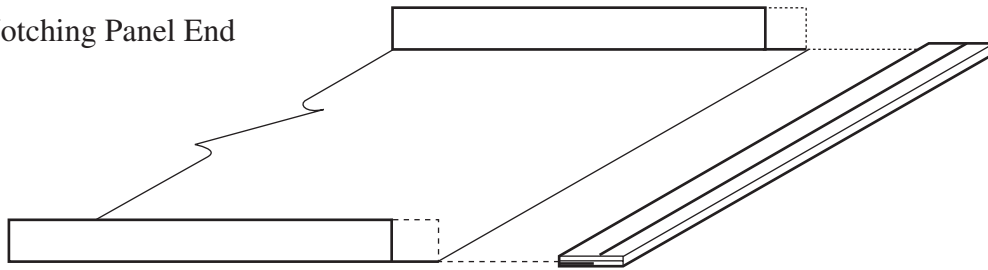
Touch-Up Paint:

Touch-up paint is used to cover and protect unexpected scratches on the paint finish that may occur during installation of panel. Touch-up paint will not weather as well or at the same rate as the original coating or finish. When applying, use in small inconspicuous and separate areas. Test in an area that will not be noticeable.

Eave Preparation

EverSeam 19.5

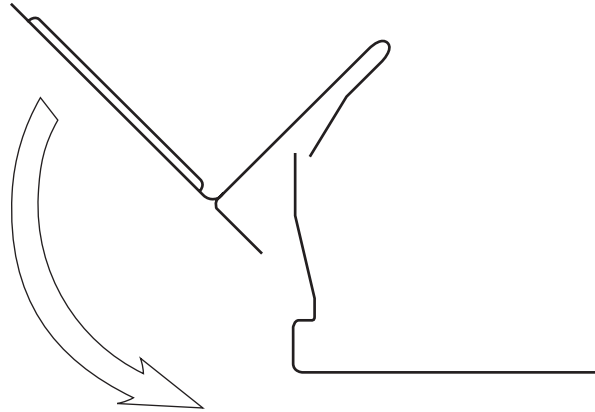
Notching Panel End



Panel Engagement

Panel Engagement

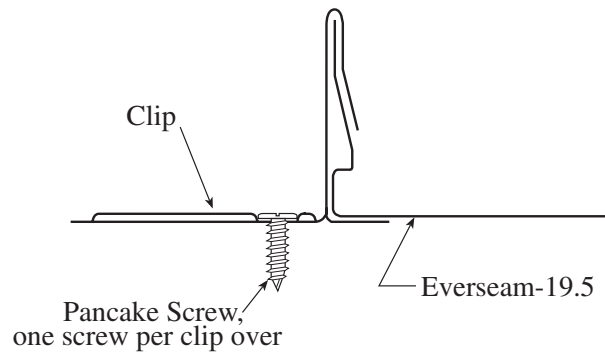
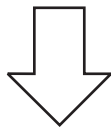
EverSeam 19.5



Panel Clip Installation

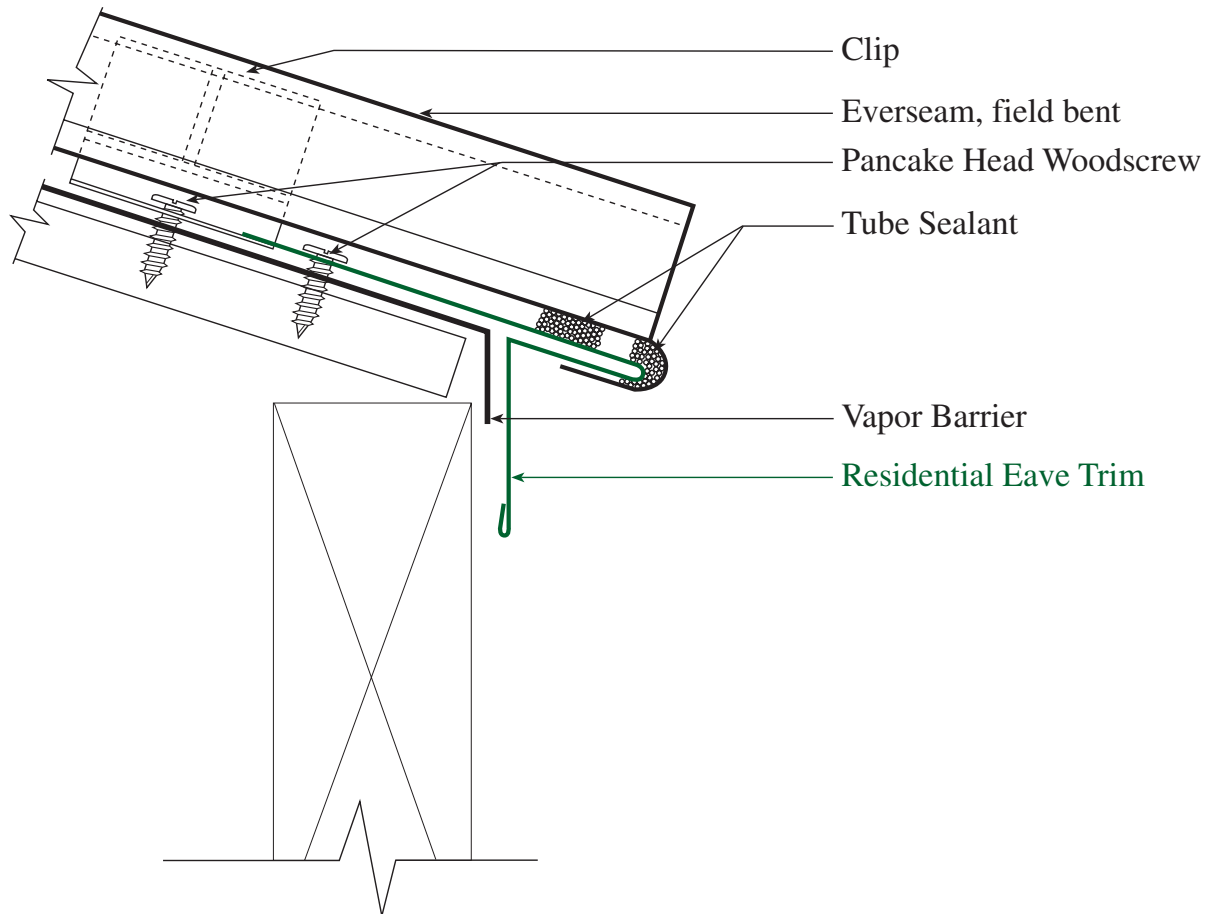


Everseam 19.5

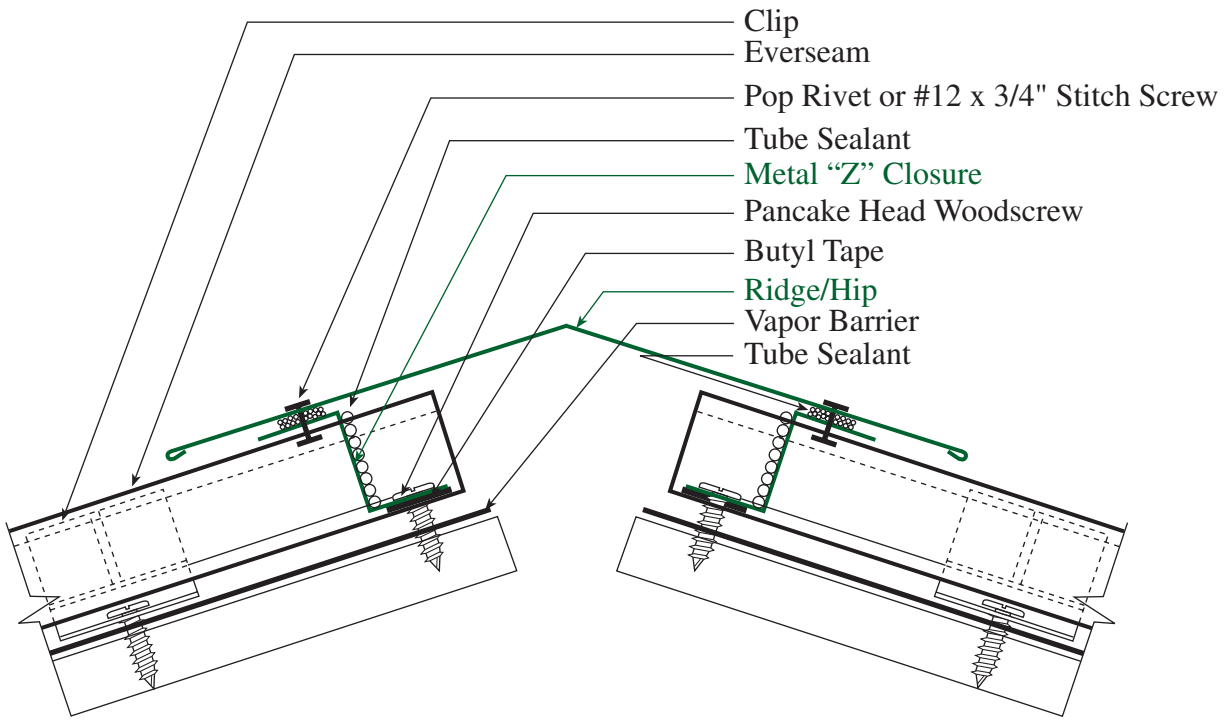


Installed Panel Cross Section

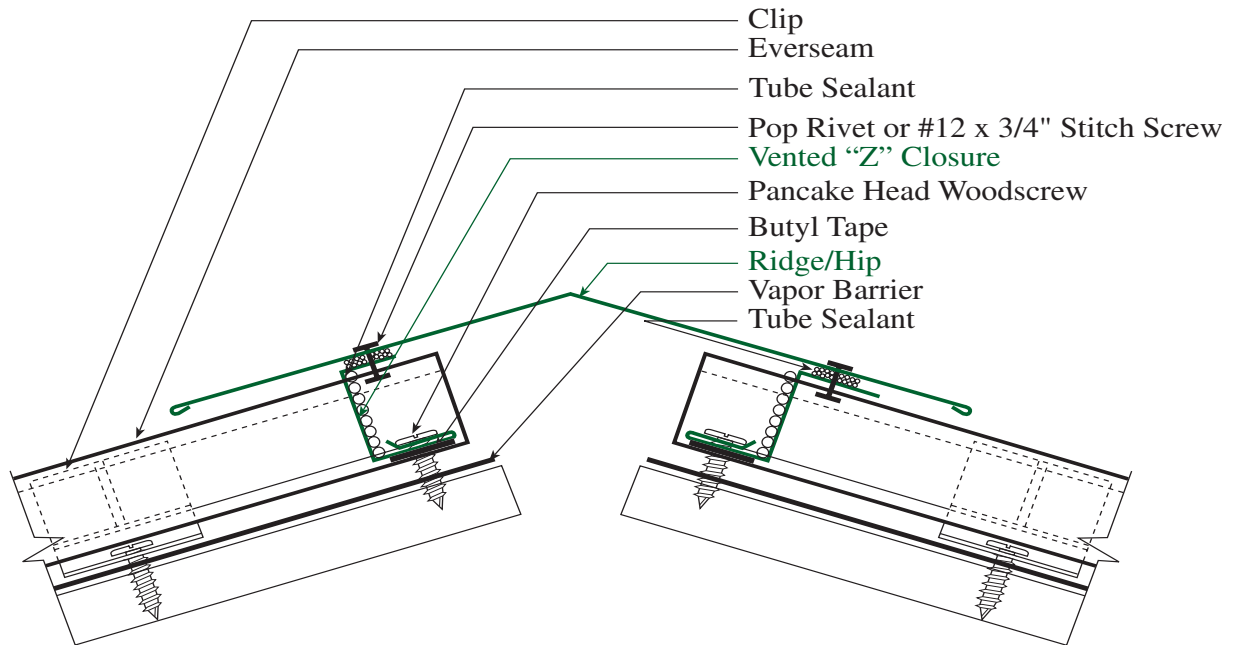
EAVE



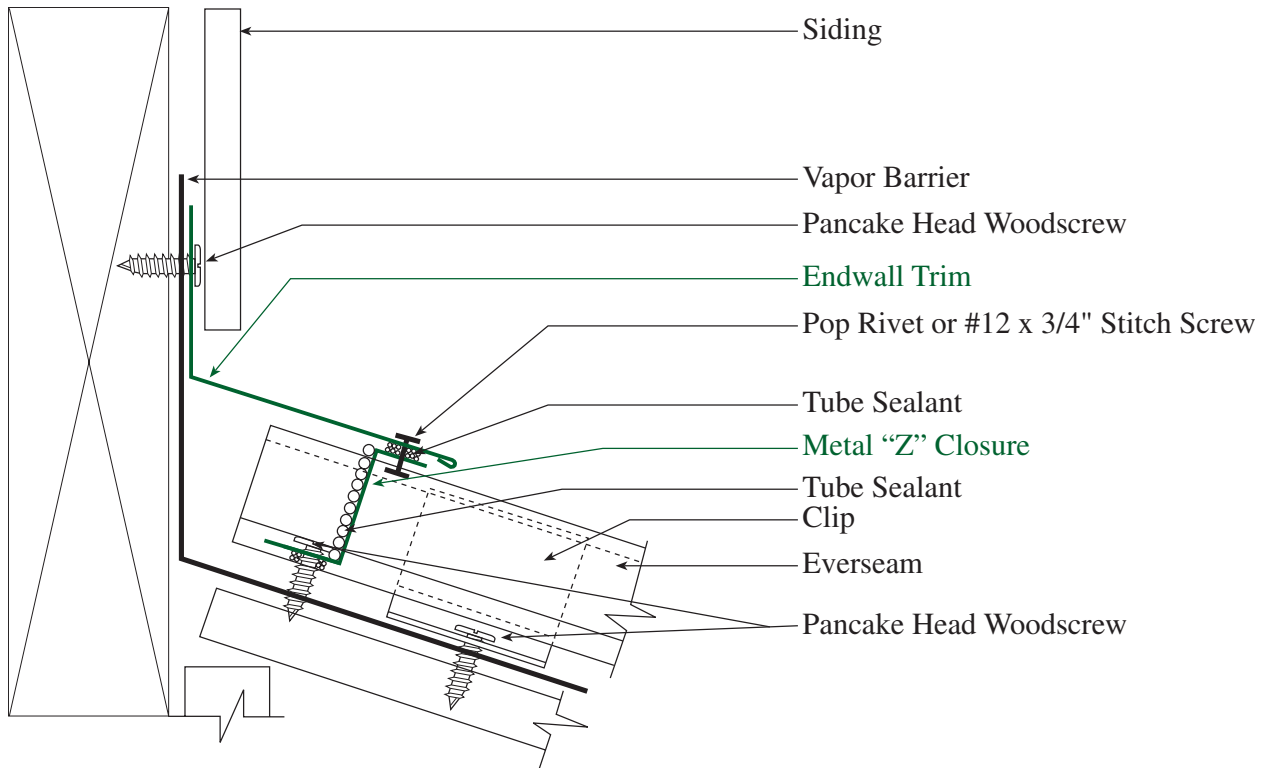
RIDGE / HIP



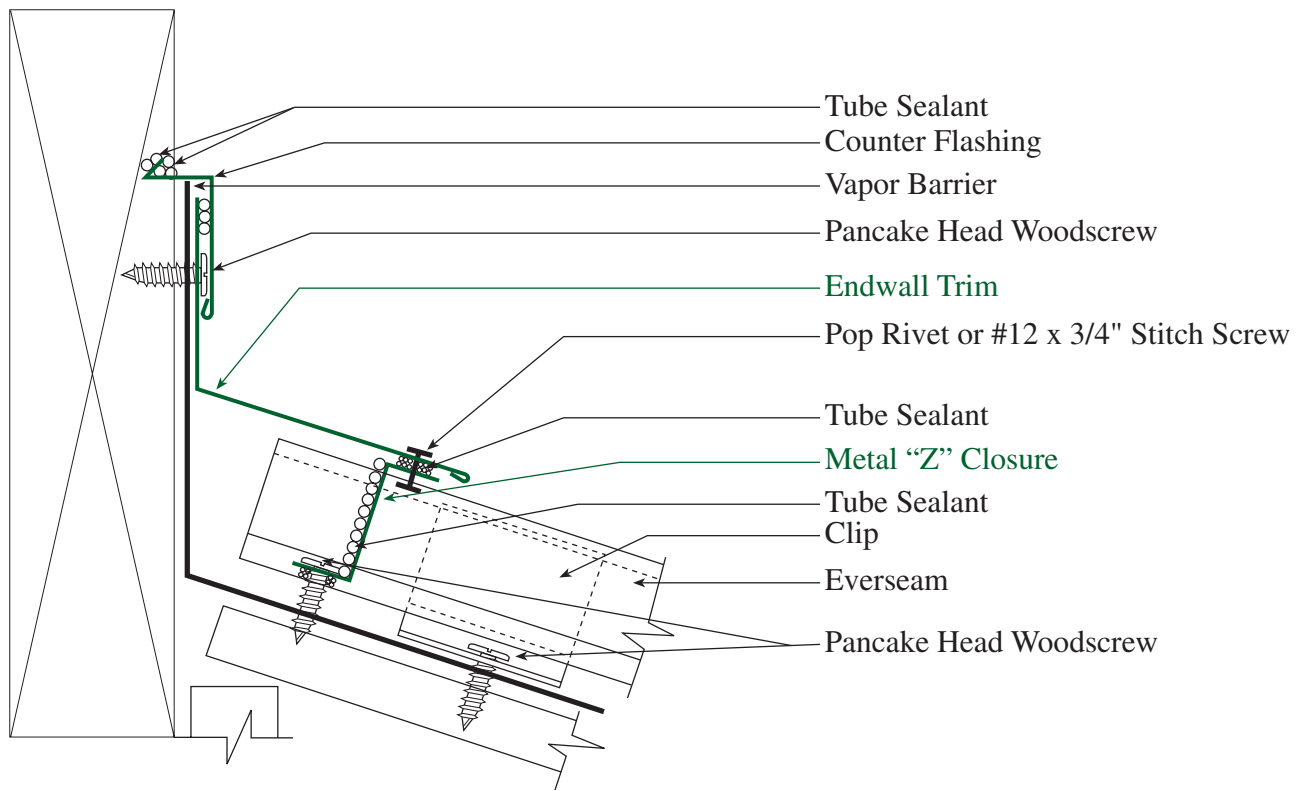
VENTED RIDGE



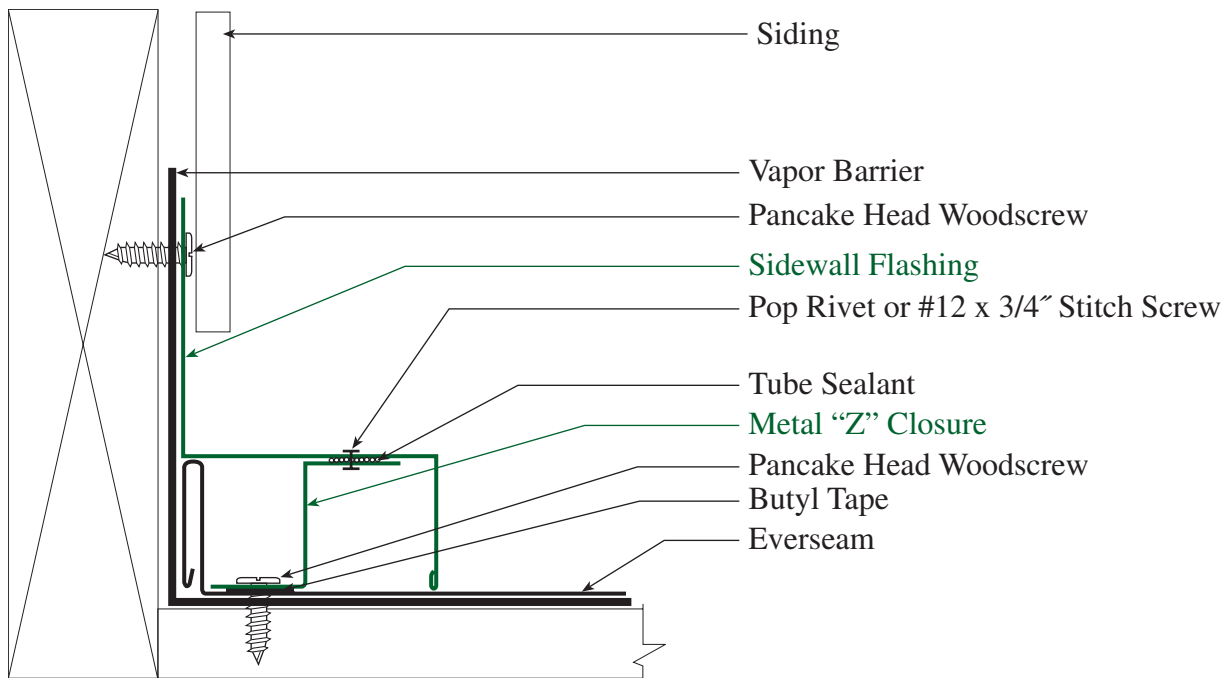
ENDWALL



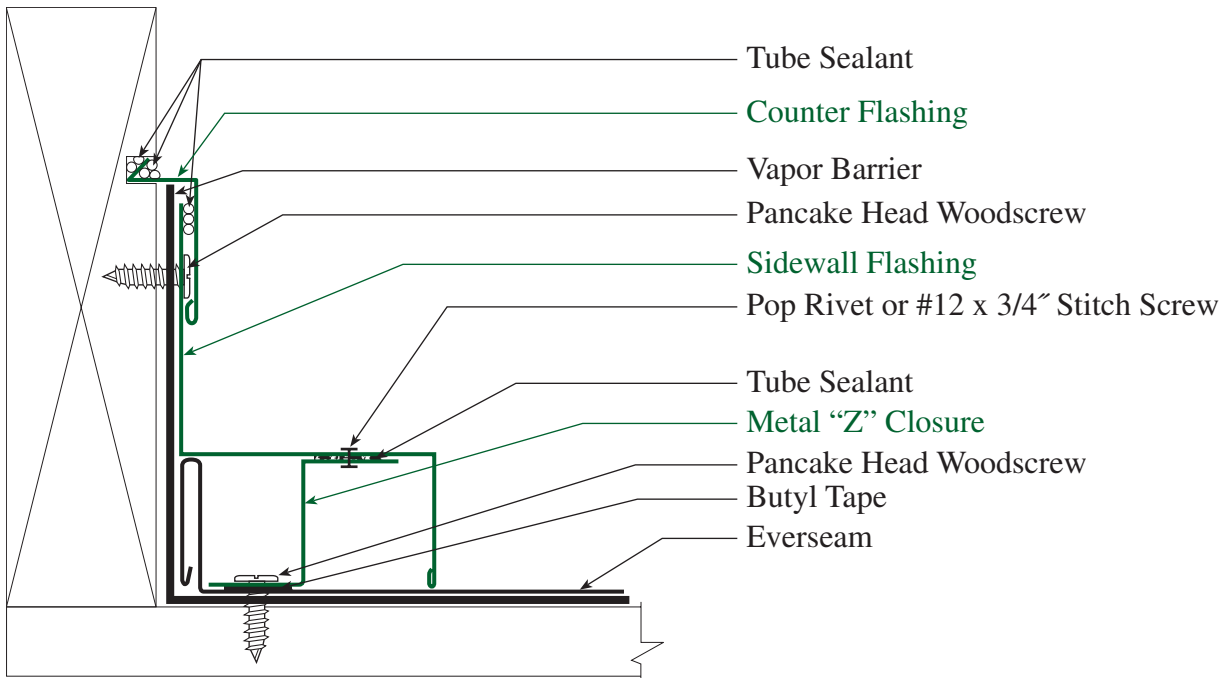
ENDWALL COUNTER



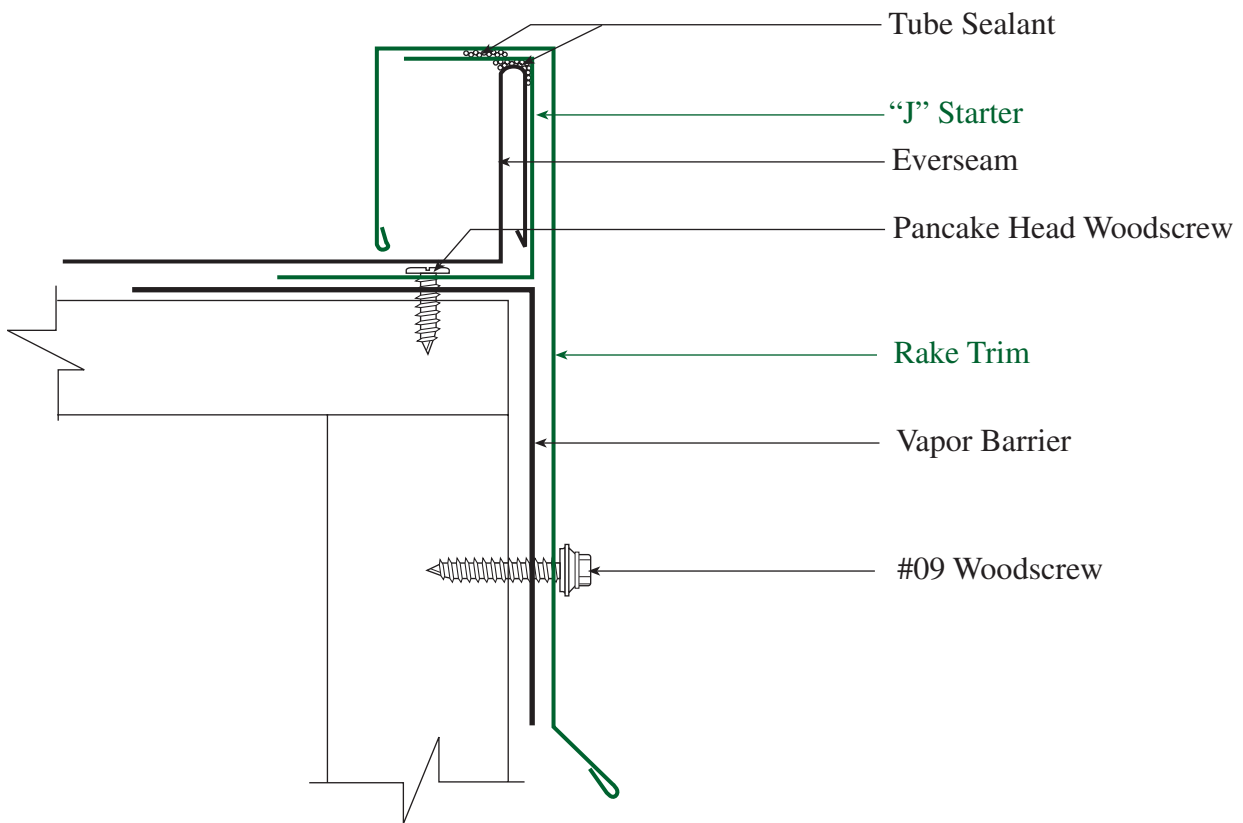
SIDEWALL



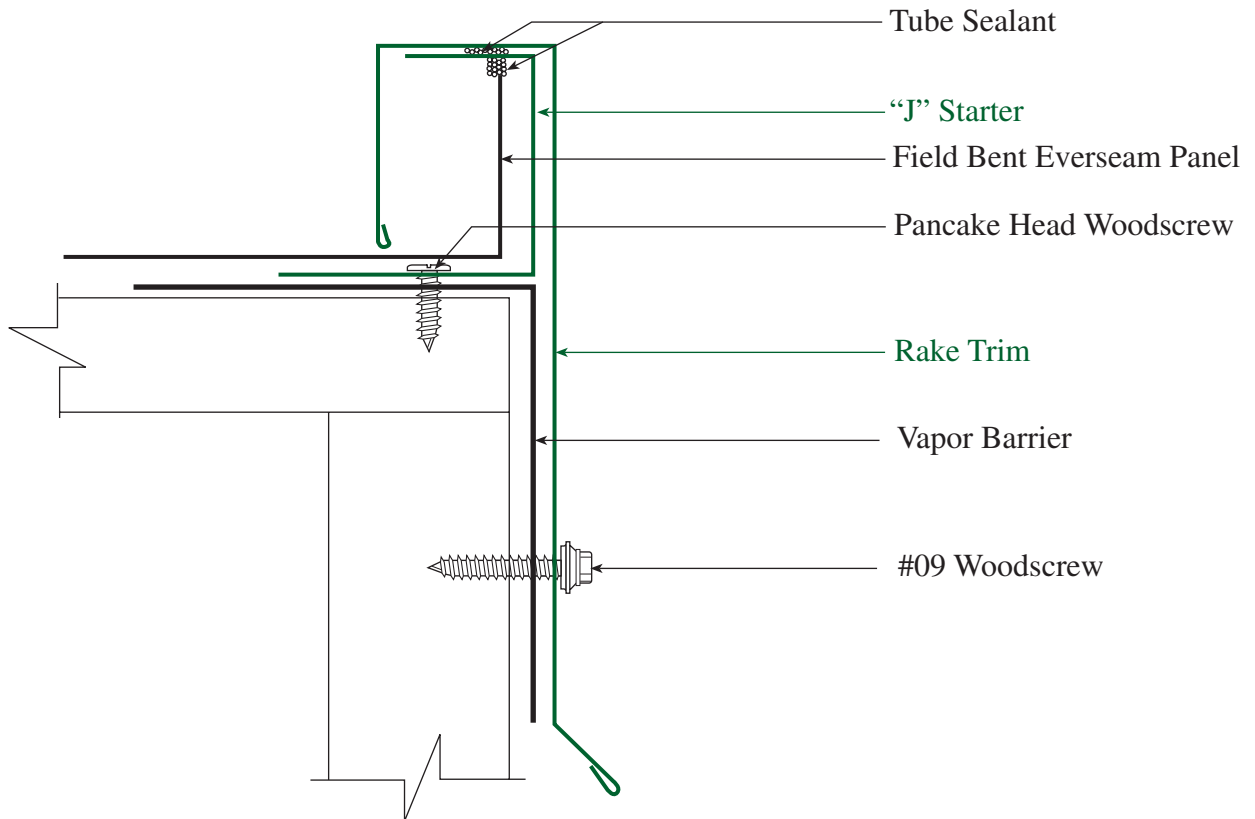
SIDEWALL COUNTER



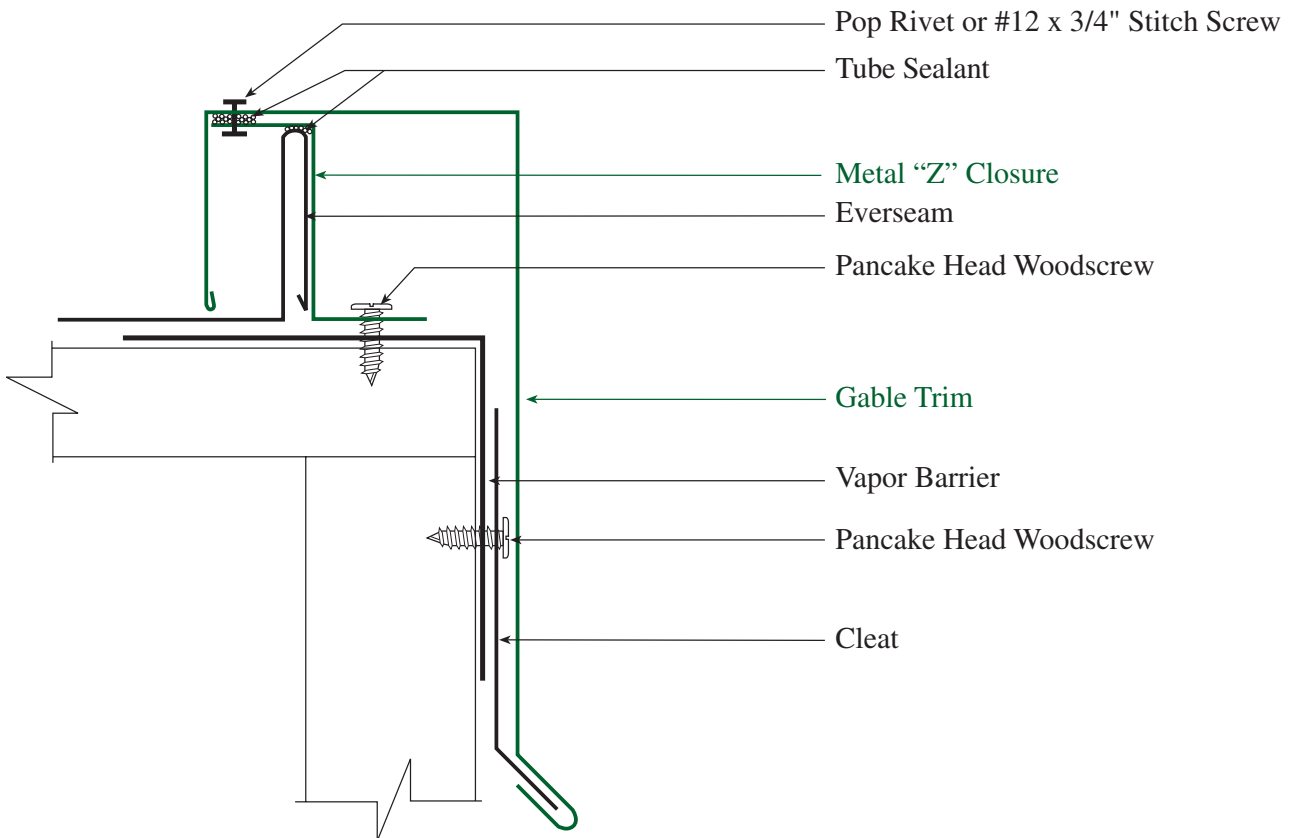
RAKE STARTER "J"



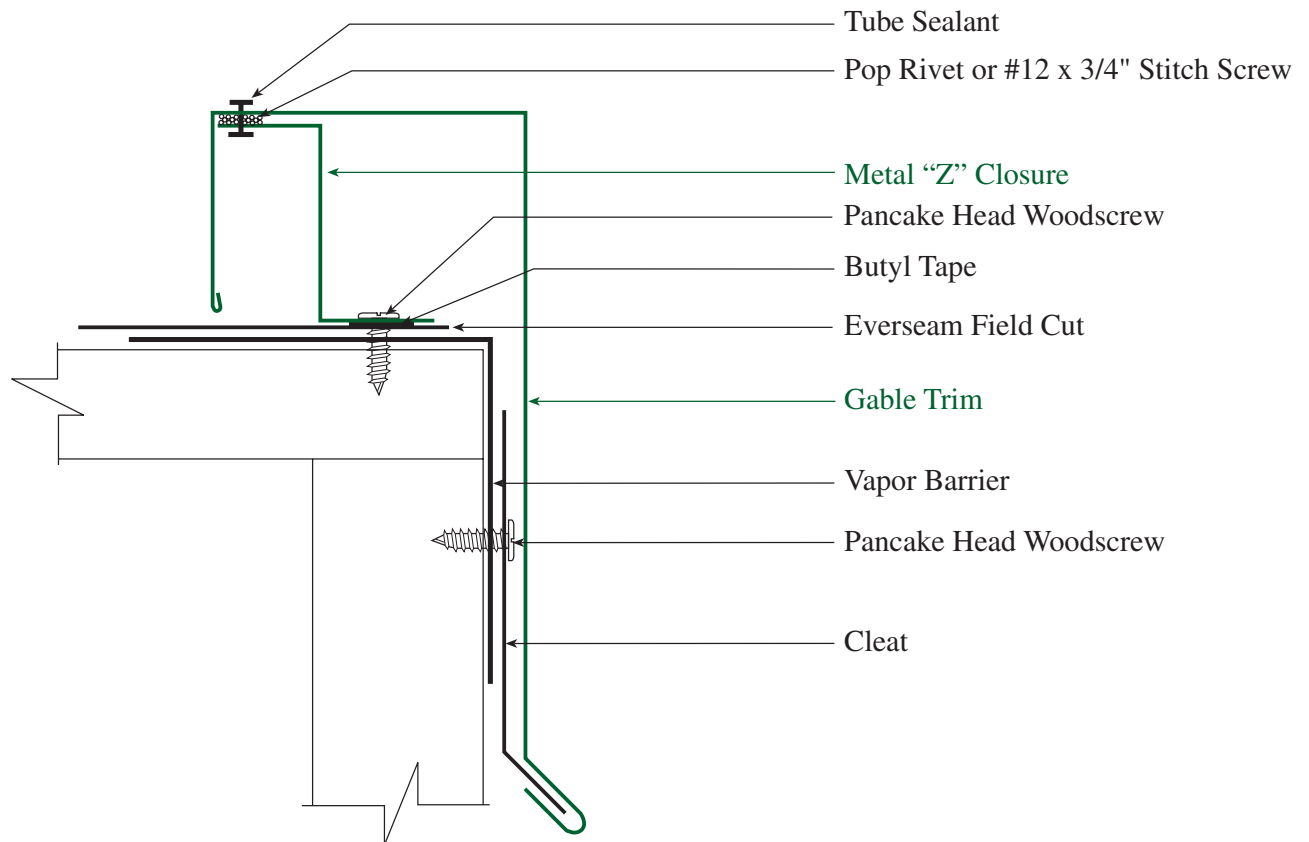
RAKE CUT PANEL STARTER "J"



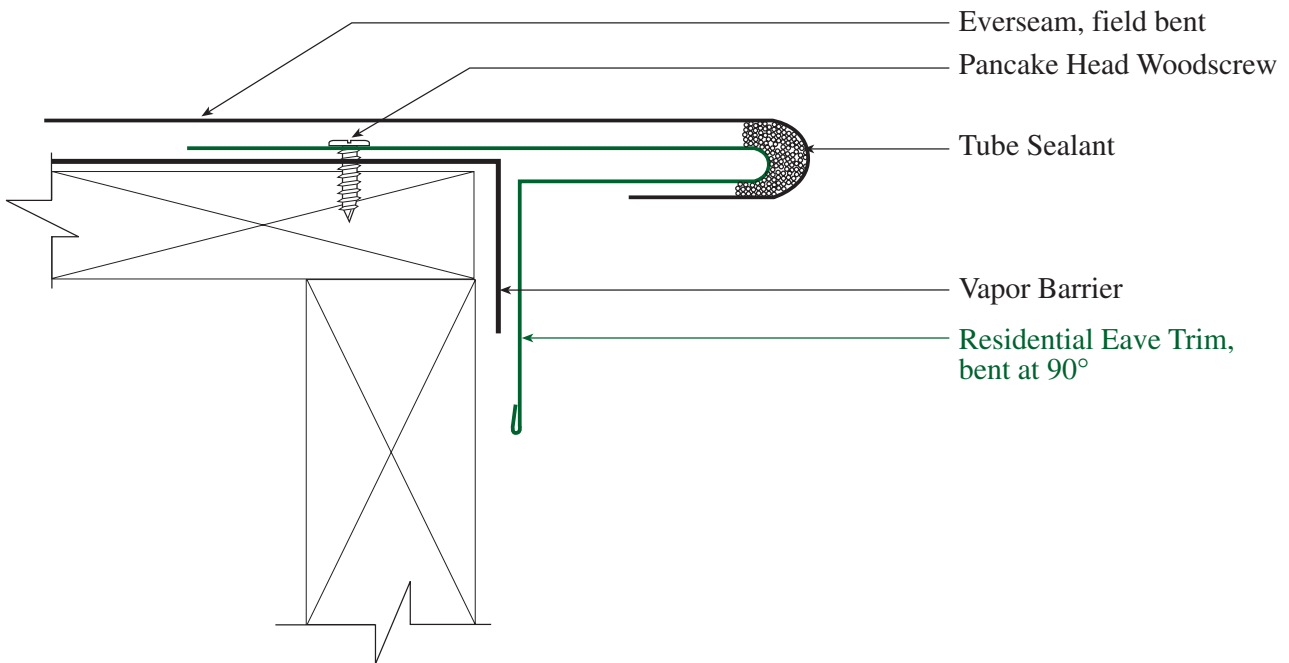
GABLE



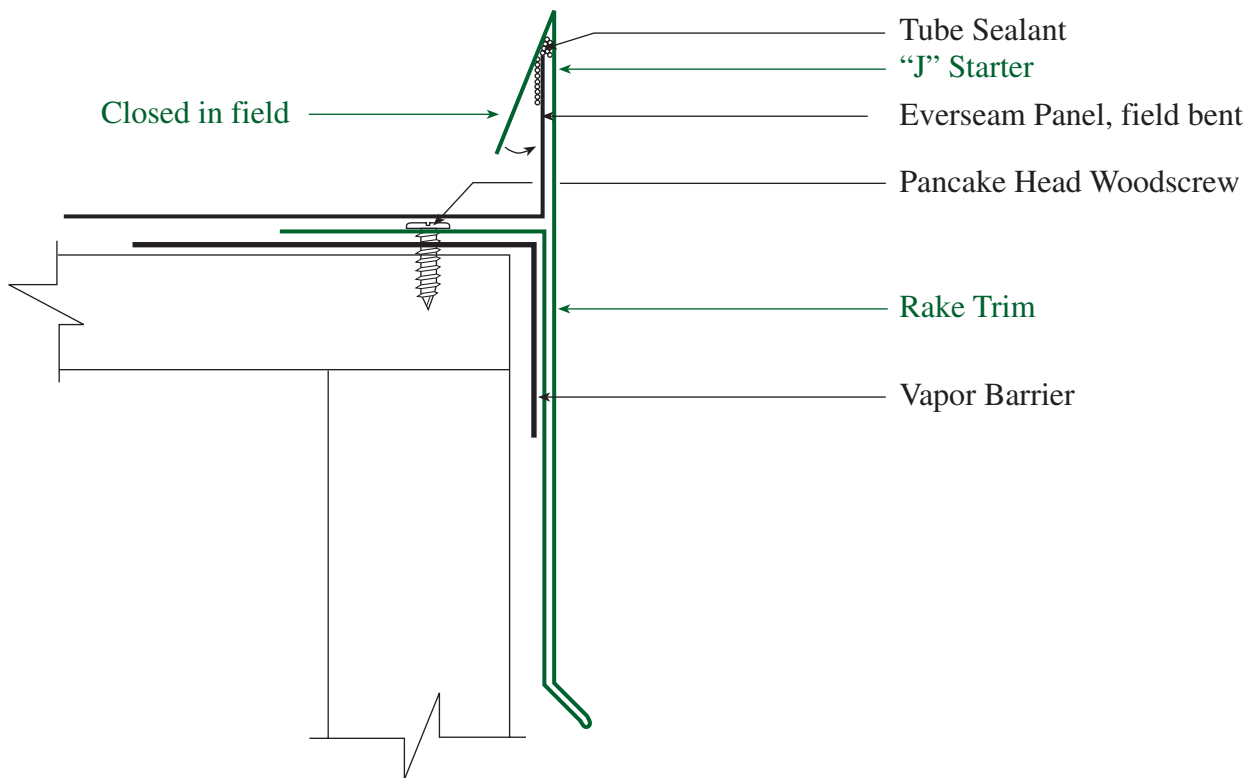
GABLE CUT PANEL



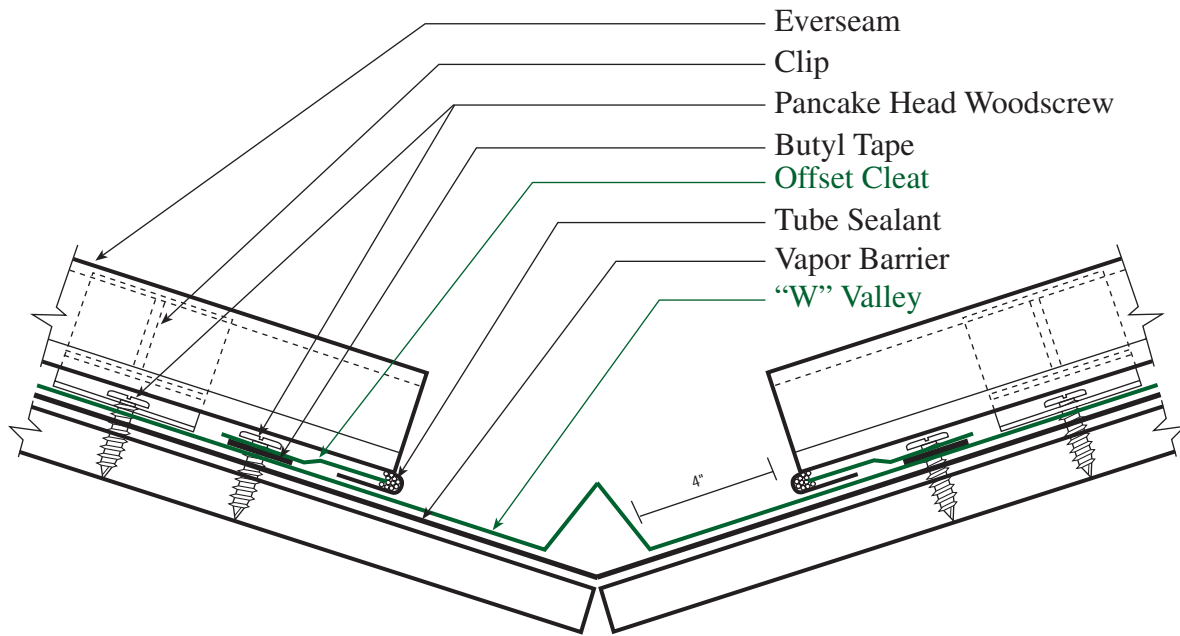
FORMED RAKE



SLIM LINE RAKE



FORMED VALLEY





239 North 5th Avenue
Lebanon, PA 17046
Office: 888-339-0059
Fax: 717-270-6569

P.O. Box 278, 81 South High St.
Bridgton, ME 04009-0278
Office: 888-339-0059
Fax: 207-647-5599

7180 N 050 E
Howe, IN 46746
Office: 866-562-3782
Fax: 260-562-3738